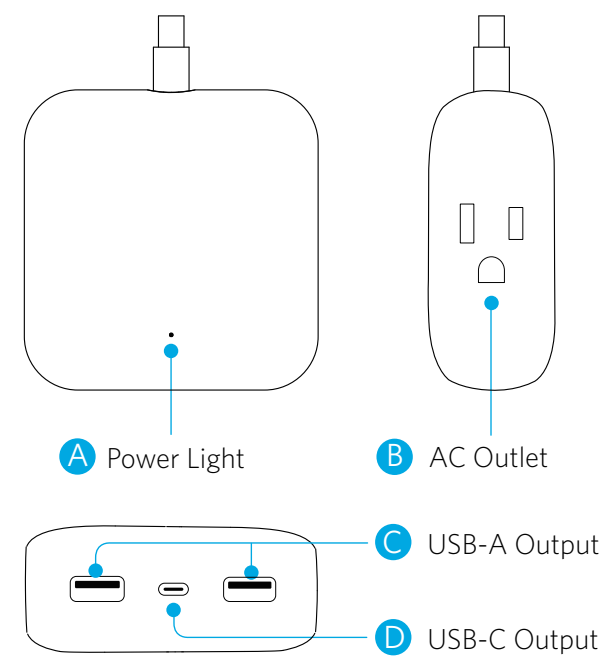




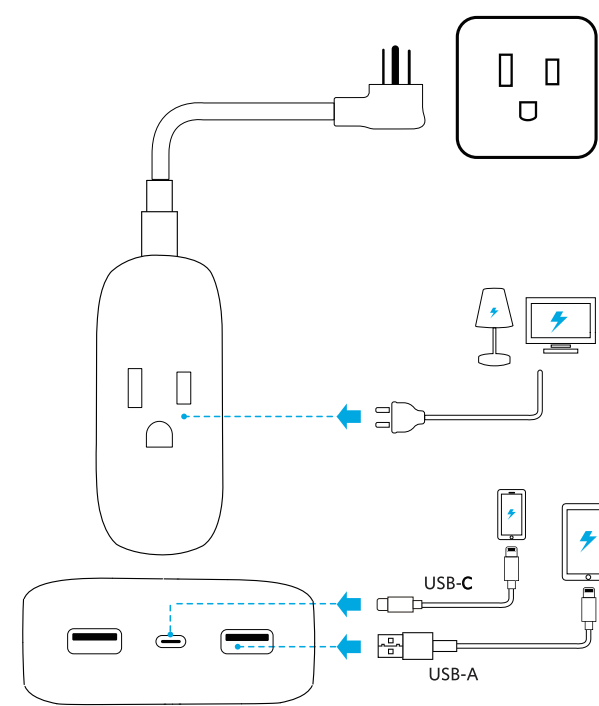
Charge Fast, Live More

## PowerPort Strip PD 2 mini

### Overview



### Using Your PowerPort Strip



- When **PowerPort Strip** is connected to the power outlet, the Power Light is on.

### Safety

- Do not connect **PowerPort Strip** to an ungrounded outlet.
- Do not use with extension cords.
- Do not exceed electrical ratings.
- Use in dry locations and indoors only.
- Install **PowerPort Strip** away from heat-emitting appliances such as radiators.
- Keep children away from **PowerPort Strip**.

### Specifications

AC Input	125V AC 60Hz 10A
AC Output	125V AC 60Hz 10A 1250W
USB Input	100-240V - 50/60Hz
USB A Output	5V=2.4A total (2.4A Max Each Port)
USB C Output	5V=3A, 9V=2A
Size	80 x 80 x 34 mm / 3.1 x 3.1 x 1.3 in
Weight	320.6 g / 11.3 oz
Cable Length	1.5 m / 5 ft



[anker.com/support](https://anker.com/support)

@Anker  
@Anker Japan

@AnkerOfficial  
@Anker\_JP

@Anker

Anker Innovations Limited  
Room 1318-19, Hollywood Plaza, 610  
Nathan Road, Mongkok, Kowloon,  
Hong Kong

Product Number A9122  
PowerPort Strip PD 2 mini  
51005001732 V02

#### FCC Statement

This device complies with Part 15 of the FCC Rules. Operation is subject to the following two conditions: (1) This device may not cause harmful interference, and (2) this device must accept any interference received, including interference that may cause undesired operation.

**Warning:** Changes or modifications not expressly approved by the party responsible for compliance could void the user's authority to operate the equipment.

**Note:** This equipment has been tested and found to comply with the limits for a Class B digital device, pursuant to Part 15 of the FCC Rules. These limits are designed to provide reasonable protection against harmful interference in a residential installation.

This equipment generates, uses, and can radiate radio frequency energy and, if not installed and used in accordance with the instructions, may cause harmful interference to radio communications. However, there is no guarantee that interference will not occur in a particular installation. If this equipment does cause harmful interference to radio or television reception, which can be determined by turning the equipment off and on, the user is encouraged to try to correct the interference by one or more of the following measures:

- (1) Reorient or relocate the receiving antenna.
- (2) Increase the separation between the equipment and receiver.
- (3) Connect the equipment into an outlet on a circuit different from that to which the receiver is connected.
- (4) Consult the dealer or an experienced radio / TV technician for help.

The following importer is the responsible party.

Company Name: Fantasia Trading LLC  
Address: 9155 Archibald Avenue, Suite 202, Rancho Cucamonga, CA, 91730, US  
Telephone: +1 (909) 484 1530

#### ISED Compliance Statement

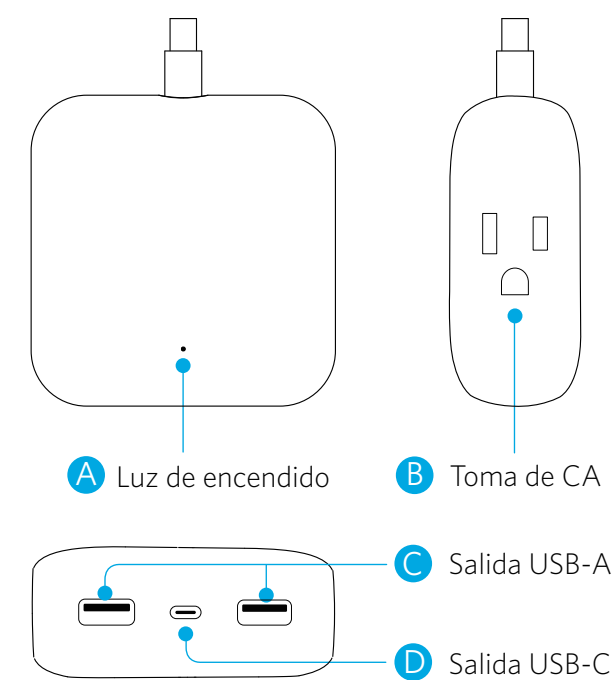
This device contains licence-exempt transmitter(s)/receiver(s) that comply with Innovation, Science and Economic Development Canada's licence-exempt RSS(s). Operation is subject to the following two conditions:

1. This device may not cause interference.
  2. This device must accept any interference, including interference that may cause undesired operation of the device.
- Cet équipement est conforme aux limites d'exposition aux radiations FCC/IC établies pour un environnement non contrôlé. Cet équipement doit être installé et utilisé avec une distance minimale de 20 cm entre le radiateur et votre corps.

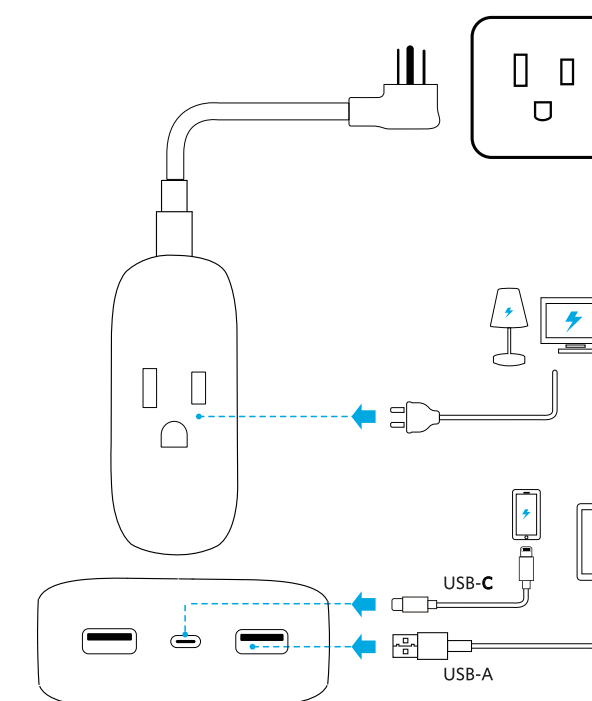
L'émetteur/récepteur exempt de licence contenu dans le présent appareil est conforme aux CNR d'Innovation, Sciences et Développement économique Canada applicables aux appareils radio exempts de licence. L'exploitation est autorisée aux deux conditions suivantes :

1. L'appareil ne doit pas produire de brouillage;
2. L'appareil doit accepter tout brouillage radioélectrique subi, même si le brouillage est susceptible d'en compromettre le fonctionnement.

#### Descripción general



#### Uso de la PowerPort Strip



- Cuando el **PowerPort Strip** esta conectado al toma corriente, la luz de Power se enciende.

#### Seguridad

- No conecte la **PowerPort Strip** a una toma de corriente sin conexión a tierra.
- No la utilice con cables de extensión.
- No exceda las clasificaciones eléctricas.
- Úsela únicamente en lugares secos y en interiores.
- Instale la **PowerPort Strip** lejos de aparatos que emitan calor, como radiadores.
- Mantenga a los niños alejados de la **PowerPort Strip**.

#### Especificaciones

Entrada CA	125V AC 60Hz 10A
Salida CA	125V AC 60Hz 10A 1250W
Entrada USB	100-240V - 50/60Hz
Salida USB	5V $\approx$ 2.4A (2,4 A máx. en cada puerto)
Salida USB-C	5V $\approx$ 3A, 9V $\approx$ 2A
Tamaño	80 x 80 x 34 mm / 3.1 x 3.1 x 1.3 in
Peso	320.6 g / 11.3 oz
Longitud del cable	1.5 m / 5 ft

#### Customer Service

ES: Servicio de atención al cliente



**18-Month Limited Warranty**

ES: Garantía limitada de 18 meses



**Lifetime Technical Support**

ES: Soporte técnico ilimitado



support@anker.com



+1 (800) 988 7973 Mon - Fri 9:00am - 5:00pm (PT)