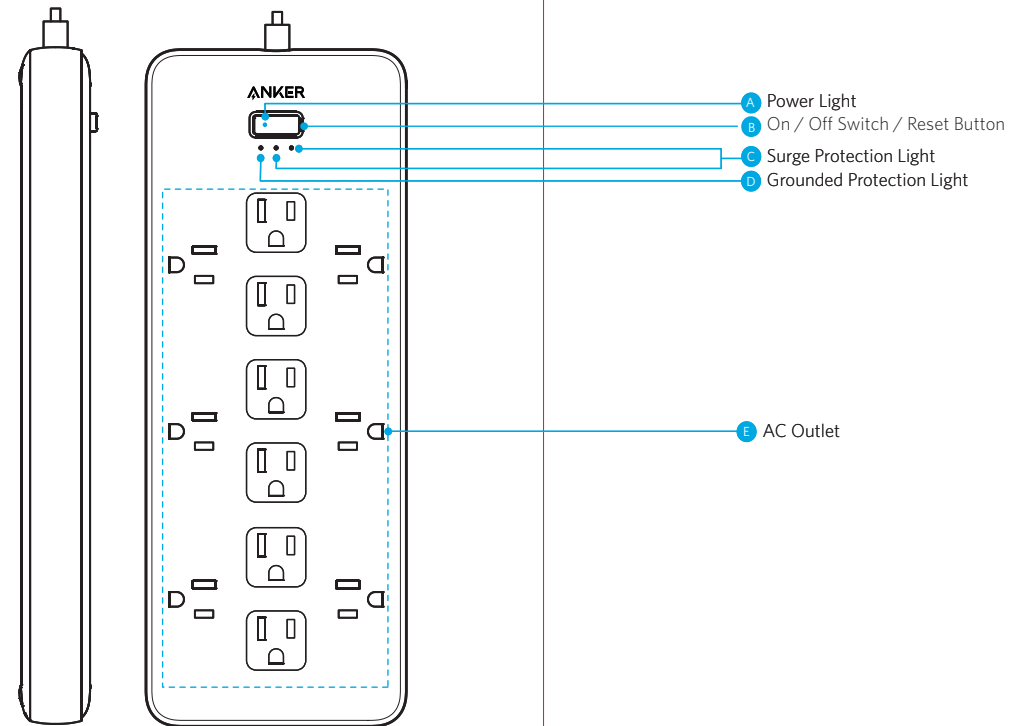


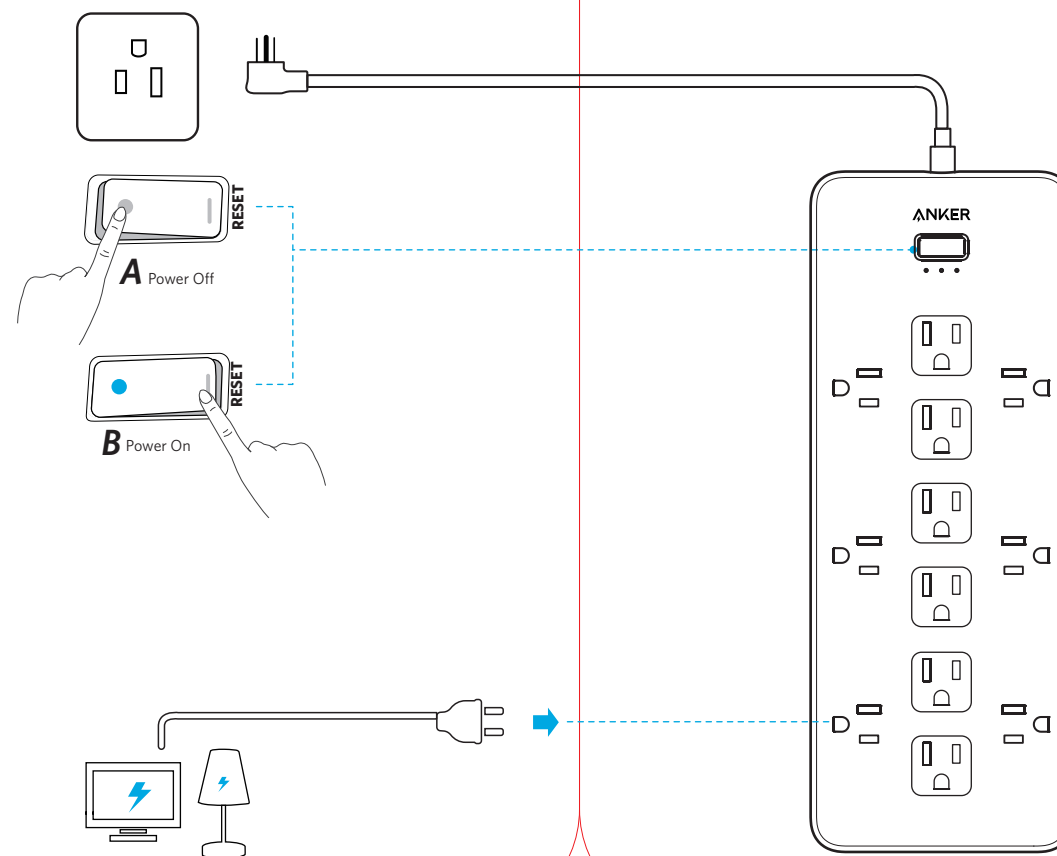


PowerExtend 12 Strip

Overview



Using Your PowerExtend Strip



- When the switch is turned on, the two Surge Protection Lights, and Grounded Protection Light will turn blue. The Power Light will turn white.
- **Tip 1:** The surge protection feature can protect your computers, smartphones and other electronic equipment against voltage fluctuations, surges, and spikes. If the two Surge Protection Lights are off, it indicates the surge protection is not functioning normally.
- **Tip 2:** In the event of a power overload, the On / Off Switch will cut off the power automatically.

Safety

- Do not connect **PowerExtend** to an ungrounded outlet.
- Do not use with extension cords.
- Do not exceed electrical ratings.
- Use in dry locations and indoors only.
- Install **PowerExtend** away from heat-emitting appliances such as radiators.
- Keep children away from **PowerExtend**.

Specifications

AC Input	125V AC 60Hz 15A
AC Output	125V AC 60Hz 15A 1875W
Surge Energy	4000J
Size	293 x 113 x 30 mm / 11.5 x 4.5 x 1.2 in
Cable Length	1.8 m / 6 ft

Customer Service

ES: Servicio de atención al cliente

18-Month Limited Warranty
ES: Garantía limitada de 18 meses

Lifetime Technical Support
ES: Soporte técnico ilimitado

support@anker.com

+1 (800) 988 7973 Mon - Fri 9:00am - 5:00pm (PT)



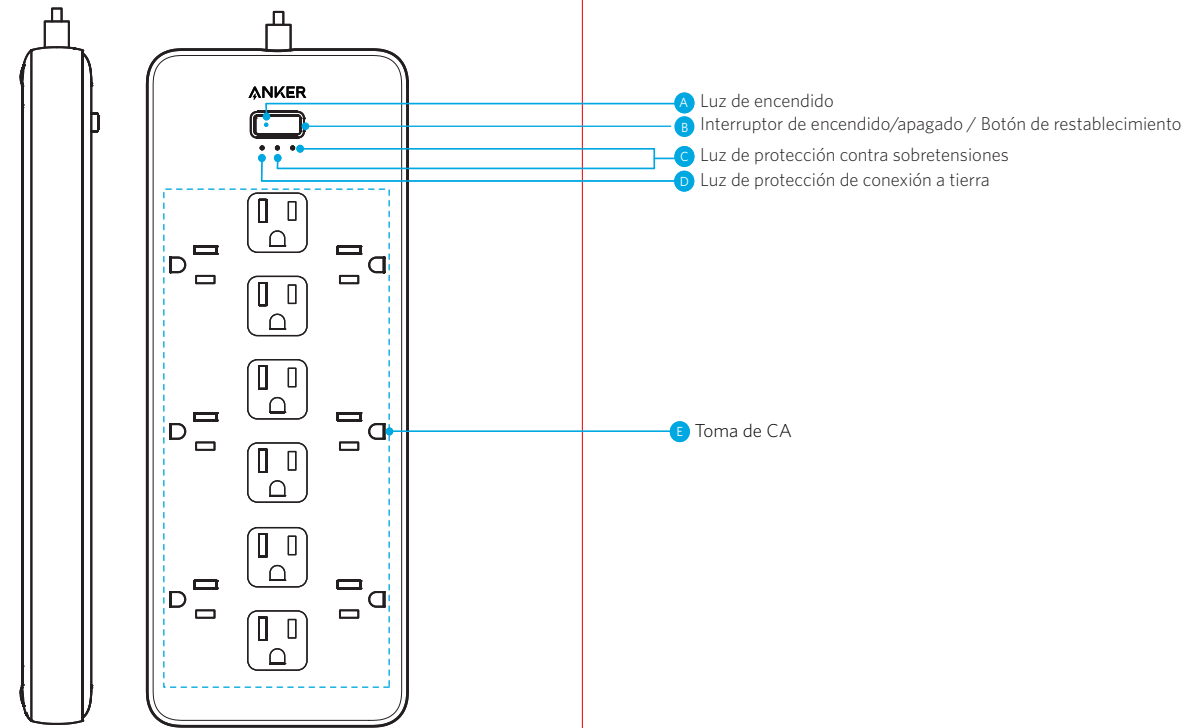
anker.com/support



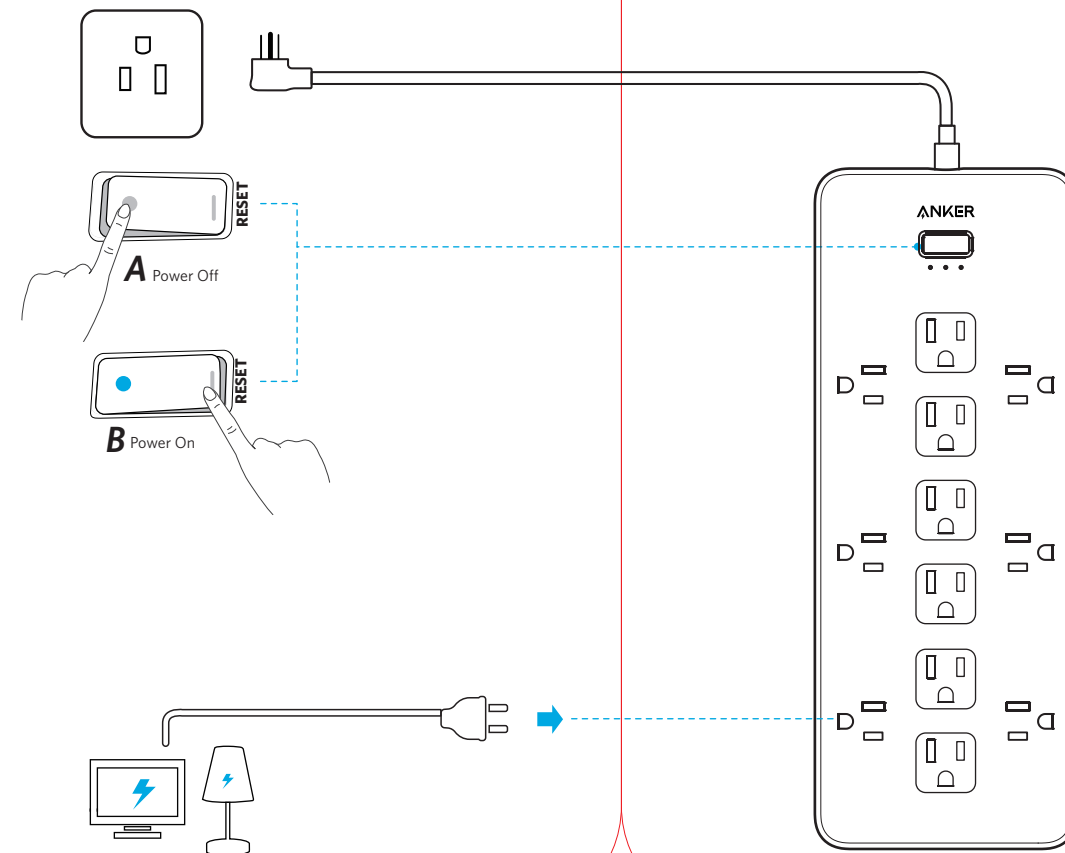
Anker Innovations Limited
Room 1318-19, Hollywood Plaza, 610 Nathan
Road, Mongkok, Kowloon, Hong Kong

Product Number A9191
PowerExtend 12 Strip
51005002344 V02

Descripción general



Uso de la PowerExtend Strip



- Cuando el interruptor está encendido, las dos luces de protección contra sobretensiones, y la luz de protección de conexión a tierra se encienden en color azul. La luz de encendido se volverá blanca.
- **Consejo 1:** Si la luz de protección contra sobretensiones está apagada, indica que no está funcionando con normalidad.
- **Consejo 2:** En el caso de una sobrecarga, el interruptor de encendido/apagado cortará la alimentación de forma automática.

Seguridad

- No conecte la **PowerExtend** a una toma de corriente sin conexión a tierra.
- No la utilice con cables de extensión.
- No exceda las clasificaciones eléctricas.
- Úsela únicamente en lugares secos y en interiores.
- Instale la **PowerExtend** lejos de aparatos que emitan calor, como radiadores.
- Mantenga a los niños alejados de la **PowerExtend**.

Especificaciones

Entrada CA	125V AC 60Hz 15A
Salida CA	125V AC 60Hz 15A 1875W
Energía de sobretensión	4000J
Tamaño	293 x 113 x 30 mm / 11.5 x 4.5 x 1.2 in
Longitud del cable	1.8 m / 6 ft

FCC Statement

This device complies with Part 15 of the FCC Rules. Operation is subject to the following two conditions: (1) This device may not cause harmful interference, and (2) this device must accept any interference received, including interference that may cause undesired operation.

Warning: Changes or modifications not expressly approved by the party responsible for compliance could void the user's authority to operate the equipment.

Note: This equipment has been tested and found to comply with the limits for a Class B digital device, pursuant to Part 15 of the FCC Rules. These limits are designed to provide reasonable protection against harmful interference in a residential installation.

This equipment generates, uses, and can radiate radio frequency energy and, if not installed and used in accordance with the instructions, may cause harmful interference to radio communications. However, there is no guarantee that interference will not occur in a particular installation. If this equipment does cause harmful interference to radio or television reception, which can be determined by turning the equipment off and on, the user is encouraged to try to correct the interference by one or more of the following measures:

- (1) Reorient or relocate the receiving antenna.
- (2) Increase the separation between the equipment and receiver.
- (3) Connect the equipment into an outlet on a circuit different from that to which the receiver is connected.
- (4) Consult the dealer or an experienced radio / TV technician for help.

The following importer is the responsible party.

Company Name: Fantasia Trading LLC
Address: 9155 Archibald Avenue, Suite 202, Rancho Cucamonga, CA, 91730, US
Telephone: +1 (909) 484 1530

IC Statement

This device complies with Industry Canada license-ICES-003. Operation is subject to the following two conditions: (1) This device may not cause interference, and (2) This device must accept any interference, including interference that may cause undesired operation of the device.

Le présent appareil est conforme aux CNR d'Industrie Canada applicables aux appareils radio exempts de licence. L'exploitation est autorisée aux deux conditions suivantes : (1) l'appareil ne doit pas produire de brouillage, et (2) l'utilisateur de l'appareil doit accepter tout brouillage radioélectrique subi, même si le brouillage est susceptible d'en compromettre le fonctionnement.